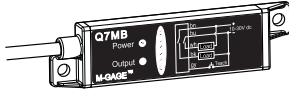


# M-GAGE Q7M Flat-Pak



Vehicle Detection Sensor



- Capable of detecting vehicles that have stopped within the sensor's sensing field
- 3-axis magnetoresistive-based technology; senses 3-dimensional changes to the Earth's magnetic field caused by the presence of ferrous objects
- Easy sensor installation
- Compact, robust one-piece, self-contained sensor package replaces inductive-loop sensing technology; no external controller needed
- Designed to minimize the effects of temperature swings and destabilizing magnetic fields
- Sensor learns ambient background and stores settings; sensor will not lose configuration or range when power is cycled
- US Patent # 6,546,344 B1

## Models

Model	Cable <sup>1</sup>	Cable Type	Supply Voltage	Output Type	Range
Q7MB	1.98 m (6.5 ft) cable	26 gage/5-wire shielded cable with 4 mm (0.160 in) diameter polyethylene jacket	10 to 30V dc	Bipolar NPN/PNP <sup>2</sup>	Range varies depending on application and target being sensed. See <a href="#">Typical Target Excess Gain Curves</a> on page 5.
Q7MB W/15	4.57 m (15 ft) cable				
Q7MB W/30	9.14 m (30 ft) cable				
Q7MB W/50	15.2 m (50 ft) cable				
Q7MB W/100	30.5 m (100 ft) cable				
Q7MBQ	5-pin Euro-style QD pig-tail, 150 mm (5.9 in)	26 gage/5-wire cable with PVC jacket			



### WARNING: Appropriate Use

The mechanical opening, braking, and reversing systems of the door will not respond in sufficient time to prevent moving trucks, cars, or material handling vehicles, even those traveling at low speeds, from coming in contact with the door. In addition, the detection zone of the device may fluctuate due to changes in the local magnetic environment. All vehicles should approach doors at speeds that allow the operator to ensure the door is operating properly and in an open position. **Failure to follow these procedures may result in serious injury or death.**



### WARNING: Not To Be Used for Personnel Protection

Never use this device as a sensing device for personnel protection. Doing so could lead to serious injury or death. This device does not include the self-checking redundant circuitry necessary to allow its use in personnel safety applications. A sensor failure or malfunction can cause either an energized or de-energized sensor output condition.

<sup>1</sup> Other cable lengths are available - up to 61 m (200 ft); consult factory for more information. A model with a QD connector requires a mating cable; see [Cordsets](#) on page 8.

<sup>2</sup> Consult factory for other output options.



## Overview

The M-GAGE Q7M Flat-Pak sensors implement a passive sensing technology to detect large ferrous objects. The sensor measures the change in the Earth's natural magnetic field (the ambient magnetic field) caused by the introduction of a ferromagnetic object.

The M-GAGE Q7M Flat-Pak sensors provide an alternative to inductive loop systems.

**Mount the Q7M sensor above-ground** (see [Installation](#) on page 3).

### Theory of Operation

The sensor uses three mutually perpendicular magnetoresistive transducers. Each transducer detects magnetic field changes along one axis. By incorporating three sensing elements, maximum sensor sensitivity is achieved.

A ferrous object will alter the local (ambient) magnetic field surrounding the object, as shown in [Figure 1](#). on page 2 and [Figure 2](#). on page 2. The magnitude of this magnetic field change is dependent both on the object (size, shape, orientation, and composition) and on the ambient magnetic field (strength and orientation).

During a simple programming procedure, the Q7M sensor measures the ambient magnetic field. When a large ferrous object (for example, a truck, automobile, or rail car) alters that magnetic field, the sensor detects the magnetic field changes (anomalies). When the degree of magnetic field change reaches the sensor's threshold, the sensor's discrete outputs switch.

### Sensor Field of View and Range

The sensor range depends on three variables:

1. The local magnetic environment (including nearby ferrous material)
2. The magnetic properties of the object to be sensed
3. Sensor settings

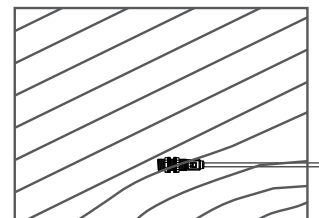
The Q7M sensor can detect changes in the ambient magnetic field in all directions. As with other sensors, the range will depend on the target. The strong disturbance of a large ferrous object decreases as the distance from the sensor increases, and the magnitude and shape of the disturbance is dependent on the object's shape and content.

The sensor can be programmed to react to magnetic field disturbances of greater or lesser intensity using two adjustments: background condition and sensitivity level.

Once background condition and sensitivity level are set, the sensor is ready to detect the target object. Both settings are stored in non-volatile memory.

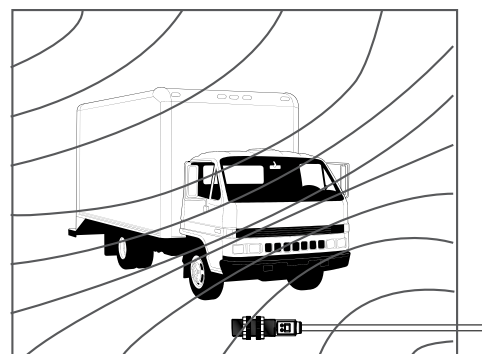


**NOTE:** The Q7M sensor will continue to sense a vehicle in its sensing field, even when the vehicle is stopped.



**Figure 1.**

**A.** Baseline magnetic field, with slight disturbances caused by permanent ferrous-metal objects within or near the sensor.



**Figure 2.**

**B.** After a large steel target object is introduced, the sensor detects the differential (magnetic strength and orientation) between fields A and B. If the differential is greater than the sensitivity threshold, the sensor's outputs conduct.



**Tip:** Sensor may be mounted inside a non-ferrous architectural detail for cosmetic or security reasons. It is important that, wherever it is mounted, the sensor is securely attached during configuration and all later use. If the sensor moves after being taught, detection errors may occur and sensor must be re-taught. If a sensor appears to lose its taught settings, it may be a result of having shifted position after setup.

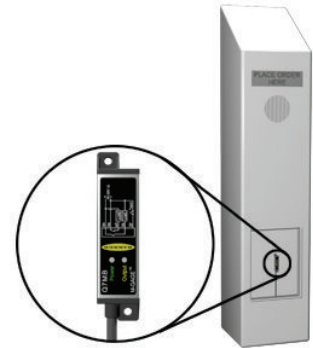
## Installation

The M-GAGE Q7M Flat-Pak is non-directional, and can be mounted in any position. The sensor may be mounted inside a non-ferrous architectural detail for cosmetic or security reasons.

The end caps provide mounting holes at either end of the sensor. The sensor can be mounted to any desired surface (for example, cement or metal). Select a location as close as possible to the vehicle(s) to be detected.

In applications where the sensor is mounted to the side of the vehicle traffic lane (for example, in a kiosk, menu board, or gate control box), consideration must be made for movement of metallic objects within a few feet of the sensor on the opposite side of the traffic lane, even if the activity is not visible (for example, behind a wall or inside a building). Consult Banner Applications Engineer for further information.

When mounting a QD-cable model, it is recommended to route the cable through conduit for protection from environmental conditions. The integral cable does not need such protection.



**Figure 3. Installation using the mounting holes in the sensor's end caps**

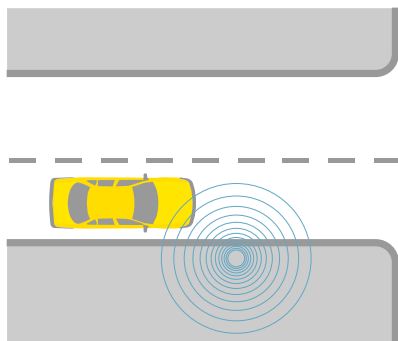
Make sure that the sensor is securely attached during configuration and operation. If the sensor moves after being taught, detection errors may occur and the sensor must be re-taught. If a sensor appears to lose its taught settings, it may be a result of having shifted position after setup.

### Install the Sensor Above Ground



**Restriction:** The models listed in this datasheet are not intended to be installed below ground due to inherent installation and environmental variability. Contact Banner Engineering for models designed for below ground installations.

## Installation Placement Considerations



**Figure 4. Example good sensor placement**

### Good Placement

*Figure 4. Example good sensor placement* on page 3 shows an example of appropriate M-GAGE sensor placement for vehicle detection. The sensor is placed at the edge of a traffic lane to detect the vehicle in the near lane. This type of placement is often used for a kiosk, menu board, or gate control box.

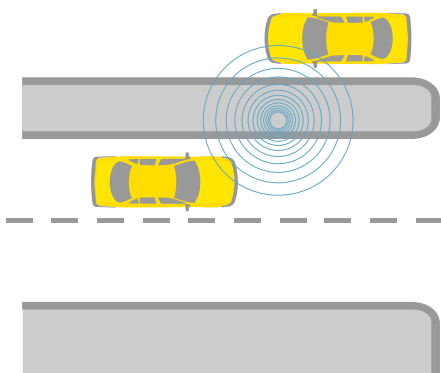


Figure 5. Example bad sensor placement

### Bad Placement

Figure 5. Example bad sensor placement on page 4 depicts a potential problem installation. While mounting the sensor at the side of a lane may be successful, this mounting location increases the potential for detection problems. To reliably detect a vehicle from the side, the sensor sensitivity must be increased in order to see objects further away in the lane of interest. Unfortunately, this enables the sensor to also detect another object operating behind the sensor or vehicles in adjacent lanes, which will cause false counts.

Place the M-GAGE sensor at the edge of a traffic lane only if there is no possibility of other objects being detected by the sensor. A good practice is to ensure that no vehicles will be within 3.05 m (10 ft) of the sensor on the non-traffic side.

## Sensor Configuration

The sensor is configured via its gray Remote wire. The gray wire is always active and the sensor may be re-configured at any time. **For optimum performance, secure the sensor so that it will not move either during or following the configuration.**

Programming pulses may be executed by connecting the sensor's gray wire to the sensor's blue (common) wire with a normally open mechanical button connected between them, or as a low (< 2V dc) signal from a programmable logic controller (PLC), or using the model DPB1 Portable Programming Box, as shown in Figure 7. Connecting to the model DPB1 Portable Programming Box on page 4. When a PLC is used for configuration, the pulses are acknowledged via the sensor output signal.

When the DPB1 is used, the pulses are accomplished by clicking the DPB1 **TEACH** push button (0.04 seconds ≤ click ≤ 0.8 seconds). The sensor's output status is reflected by the DPB1 Output indicator LED.

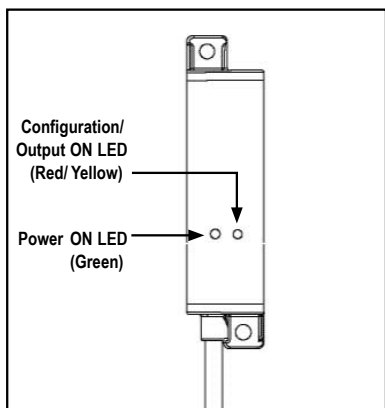
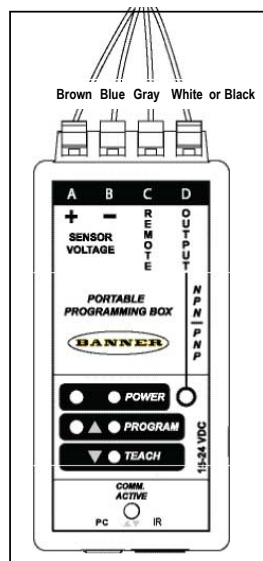


Figure 6. Sensor Features

Figure 7. Connecting to the model DPB1 Portable Programming Box

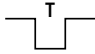


Push "TEACH" button to pulse the remote wire.

## Configuration


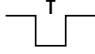
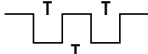
### Set Background Condition (No Vehicle Present)

Wire the M-GAGE™ sensor as directed. Remove all vehicles and all other metal objects that are temporarily in the sensing area before setting the background condition.

Configuration (0.04 ≤ T ≤ 0.8 seconds)		Result
<b>Set Background</b>	<ul style="list-style-type: none"> <li>Single-pulse the remote wire.</li> </ul> 	<ul style="list-style-type: none"> <li>Sensor learns background.</li> <li>Output indicator LED flashes approximately 12 times while the background is taught.</li> <li>Sensor returns to Run mode.</li> </ul>

### Set Sensitivity Level

Level 1 = least sensitive, Level 6 = most sensitive.

Configuration (0.04 ≤ T ≤ 0.8 seconds)		Result
<b>Access Sensitivity Mode</b>	<ul style="list-style-type: none"> <li>Double-pulse the remote wire.</li> </ul> 	<ul style="list-style-type: none"> <li>Red output LED flashes every 2 seconds to indicate the current sensitivity level; the sensor always begins at sensitivity level 1.</li> </ul>
<b>Adjust Sensitivity</b>	<ul style="list-style-type: none"> <li>To increase the sensitivity incrementally, single-pulse the remote wire again; continue until the desired sensitivity level is reached.</li> </ul> 	<ul style="list-style-type: none"> <li>Output LED flashes from 1 to 6 times every 2 seconds to indicate the sensor's sensitivity level (for example, two flashes indicates level 2).</li> </ul>
	<ul style="list-style-type: none"> <li>Double-pulse the remote wire to save the setting.</li> </ul> 	<ul style="list-style-type: none"> <li>Sensor returns to Run mode.</li> </ul>
<b>Test Operation</b>	<ul style="list-style-type: none"> <li>Drive a vehicle past the sensor to trip the output. Use a small/light vehicle to ensure larger vehicles will be detected later.</li> </ul>	<ul style="list-style-type: none"> <li>Verify Output LED comes On as expected.</li> </ul>
	<ul style="list-style-type: none"> <li>Adjust the sensitivity as needed.</li> </ul>	
<b>Prepare for Operation</b>	<ul style="list-style-type: none"> <li>Disconnect DPB1 or other temporary switch used for configuration and connect the sensor to a permanent power supply/output device (user-supplied). See <a href="#">Hookups</a> on page 7.</li> </ul>	

## Typical Target Excess Gain Curves

After the sensor has been securely mounted and configured, it is ready to operate. The following example application shows typical responses for the M-GAGE™ sensor.

*Figure 8. Application example: sensor mounted 1 meter (3.3 ft) above ground* on page 6 describes mounting the M-GAGE™ 1 meter (3.3 ft) above the ground to sense an automobile. The graph shows the excess gain for a typical car. Excess gain is a measure of the amount of extra signal detected by the sensor over and above the Level needed to detect the target. This example assumes a Level 5 sensitivity threshold.

**Excess Gain vs Sensitivity Level**  
(Assumes Level 5<sup>3</sup>)

Level	Excess Gain Multiplier
1	0.33
2	0.4
3	0.5

The table at right compares the change in excess gain if the sensitivity Level changes. If the sensitivity is at Level 6, then the excess gain at a given distance would be 1.3 times larger than for a Level 5 sensitivity. Conversely, if the sensitivity threshold is Level 1, then the excess gain would be one third as big as for Level 5.

Level	Excess Gain Multiplier
4	0.66
5	1.0
6	1.3

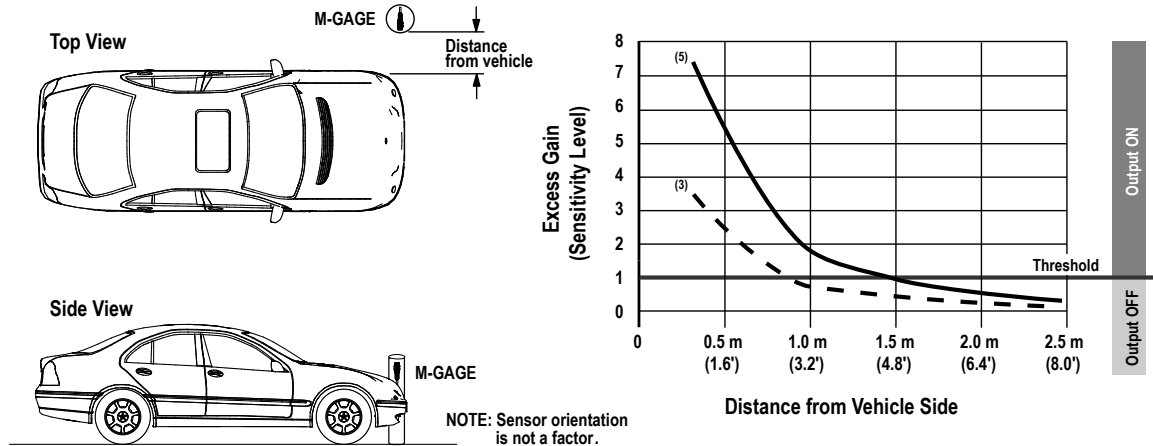


Figure 8. Application example: sensor mounted 1 meter (3.3 ft) above ground

## Specifications

### Supply Voltage

10 to 30V dc (10% max. ripple) at 43 mA, exclusive of load

Above +50° C (+122° F), supply voltage is 10 to 24V dc (10% max. ripple)

### Sensing Range

See [Figure 8. Application example: sensor mounted 1 meter \(3.3 ft\) above ground](#) on page 6

### Sensing Technology

Passive 3-axis magnetoresistive transducer

### Supply Protection Circuitry

Protected against reverse polarity and transient voltages

### Output Configuration

Two SPST solid-state outputs conduct when object is sensed; one NPN (current sinking) and one PNP (current sourcing)

### Output Protection

Protected against short-circuit conditions

### Adjustments

Configuration of Background Condition and Sensitivity Level may be set by pulsing the gray wire remotely via the portable programming box (see [Configuration](#) on page 5)

### Indicators

Two indicators (see [Figure 6. Sensor Features](#) on page 4)

**Power Indicator:** Green

**Configuration/Output Indicator:** Red/Yellow

### Remote TEACH Input

Impedance 12K ohms (low = < 2V dc)

### Construction

**Lightpipes:** Acrylic

**Housing:** Anodized aluminum

**End Caps:** Thermoplastic polyester

### Operating Conditions

-40 °C to +70 °C (-40 °F to +158 °F)

100% maximum relative humidity

### Connections

Shielded 5-conductor (with drain) polyethylene jacketed attached cable or 5-pin Euro-style quick-disconnect PVC pigtail (see [Cordsets](#) on page 8)

### Environmental Rating

Leak proof design is rated IEC IP69K; NEMA 6P

<sup>3</sup> Factory default setting

**Output Ratings**

- 100 mA maximum (each output)
- NPN saturation:** < 200 mV at 10 mA and < 600 mV at 100 mA
- NPN OFF-state leakage current:** < 200 microamps
- PNP saturation:** < 1.2V at 10 mA and < 1.6V at 100 mA
- PNP OFF-state leakage current:** < 5 microamps

**Output Response Time**

20 milliseconds

**Delay at Power-Up**

0.5 seconds

**Temperature Effect**

< 0.5 milligauss / °C

**Vibration and Mechanical Shock**

All models meet Mil. Std. 202F requirements method 201A (vibration: 10 to 60Hz max., double amplitude 0.06 in, maximum acceleration 10G). Also meets IEC 947-5-2: 30G 11 ms duration, half sine wave.

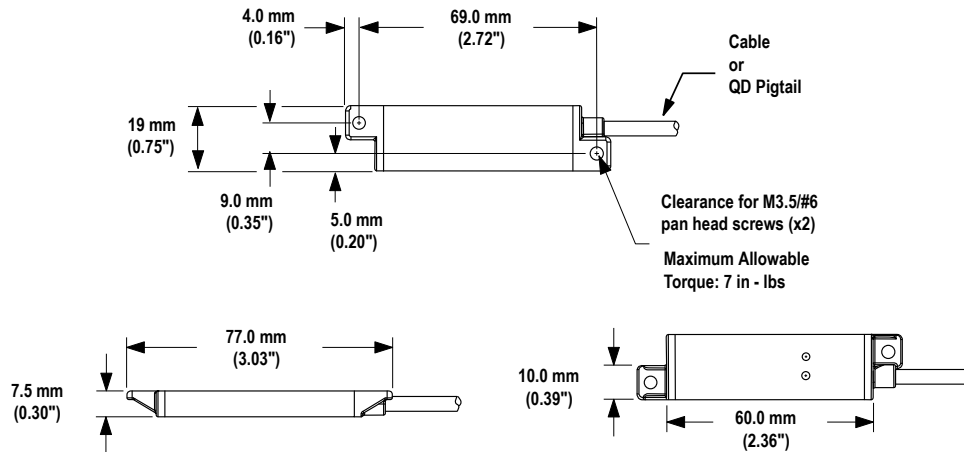
**Patent**

U.S. Patent 6,546,344 B1

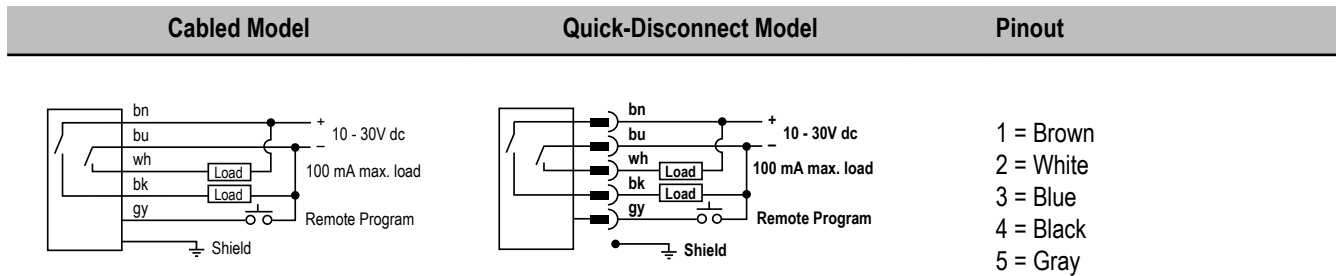
**Certifications**



**Dimensions**



**Hookups**

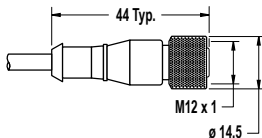
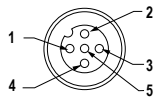
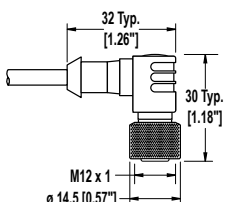
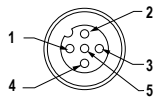


**Accessories**

Model	Description	
DPB1	Handheld Portable Programming Box, used for configuring sensor when push button is not accessible	

Model	Description
SP-DPB1	Optional 115V ac power supply for DPB1 Handheld Portable Programming Box

## Cordsets

5-Pin Threaded M12/Euro-Style Cordsets with Shield				
Model	Length	Style	Dimensions	Pinout
MQDEC2-506	1.83 m (6 ft)	Straight		 <p>1 = Brown 2 = White 3 = Blue 4 = Black 5 = Gray</p>
MQDEC2-515	4.57 m (15 ft)			
MQDEC2-530	9.14 m (30 ft)			
MQDEC2-550	15.2 m (50 ft)			
MQDEC2-506RA	1.83 m (6 ft)	Right-Angle		 <p>1 = Brown 2 = White 3 = Blue 4 = Black 5 = Gray</p>
MQDEC2-515RA	4.57 m (15 ft)			
MQDEC2-530RA	9.14 m (30 ft)			
MQDEC2-550RA	15.2 m (50 ft)			

## Banner Engineering Corp Limited Warranty

Banner Engineering Corp. warrants its products to be free from defects in material and workmanship for one year following the date of shipment. Banner Engineering Corp. will repair or replace, free of charge, any product of its manufacture which, at the time it is returned to the factory, is found to have been defective during the warranty period. This warranty does not cover damage or liability for misuse, abuse, or the improper application or installation of the Banner product.

**THIS LIMITED WARRANTY IS EXCLUSIVE AND IN LIEU OF ALL OTHER WARRANTIES WHETHER EXPRESS OR IMPLIED (INCLUDING, WITHOUT LIMITATION, ANY WARRANTY OF MERCHANTABILITY OR FITNESS FOR A PARTICULAR PURPOSE), AND WHETHER ARISING UNDER COURSE OF PERFORMANCE, COURSE OF DEALING OR TRADE USAGE.**

This Warranty is exclusive and limited to repair or, at the discretion of Banner Engineering Corp., replacement. **IN NO EVENT SHALL BANNER ENGINEERING CORP. BE LIABLE TO BUYER OR ANY OTHER PERSON OR ENTITY FOR ANY EXTRA COSTS, EXPENSES, LOSSES, LOSS OF PROFITS, OR ANY INCIDENTAL, CONSEQUENTIAL OR SPECIAL DAMAGES RESULTING FROM ANY PRODUCT DEFECT OR FROM THE USE OR INABILITY TO USE THE PRODUCT, WHETHER ARISING IN CONTRACT OR WARRANTY, STATUTE, TORT, STRICT LIABILITY, NEGLIGENCE, OR OTHERWISE.**

Banner Engineering Corp. reserves the right to change, modify or improve the design of the product without assuming any obligations or liabilities relating to any product previously manufactured by Banner Engineering Corp.



more sensors, more solutions

www.bannerengineering.com - tel: 763-544-3164