

Amplifiers DC • Relay output

Series SKM 520

DC 24 V

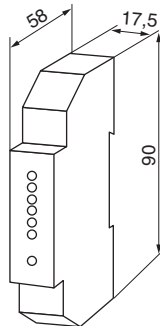

Relais output

LED display

ST 521...

SD 5...



Design	SKM 520 GR
Dimensions	
ID-No.	P11391
Type	SKM 520 GR
Output	 Relay
Supply voltage [V]	24 DC ±20%
Output	Relay / NO
Switching voltage max. [V]	230 AC / 30 DC
Switching current max. [A]	1 AC / 1 DC
Switching power max.	125 VA
Load R_L [Ω]	-
Ambient temperature [°C]	-20...+60
Protection [EN 60529]	terminal: IP 20 / housing: IP 40
Amplifier for probe	ST 521..., SD 5...

