



Model Number

ECN30PL-*

Cable pull

Features

- Robust aluminum drum housing
- Drum travel when cable retracted using threaded spindle
- Bellows with steel tip
- Wide range of mounting options
- Comprehensive accessories
- Up to 60 m of measuring cable
- Housing can be coated as an option (Hart Coat)
- Rust and acid-resistant measuring cable
- Very low hysteresis

Description

Flexible cable pull designed to meet tough requirements in all fields of application.

Technical Data

General specifications

Device type	Premium Line
Measuring range	1000 ... 60000 mm
Construction type	80 mm, 130 mm, 190 mm

Ambient conditions

Ambient temperature	-30 ... 70 °C (-22 ... 158 °F)
---------------------	--------------------------------

Mechanical specifications

Rope diameter	1.35 mm 0.81 mm (at measuring length 50000 mm)
Degree of protection	IP64
Material	
Housing	anodized aluminum or Aluminum with Hart Coat coating
Rope	Stainless steel 1.4401/316
Life span	up to 10 ⁶ Cycles

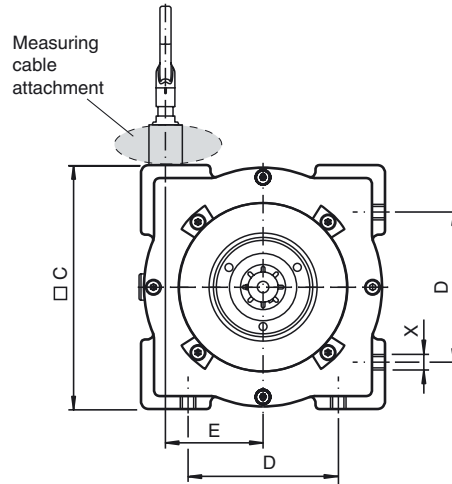
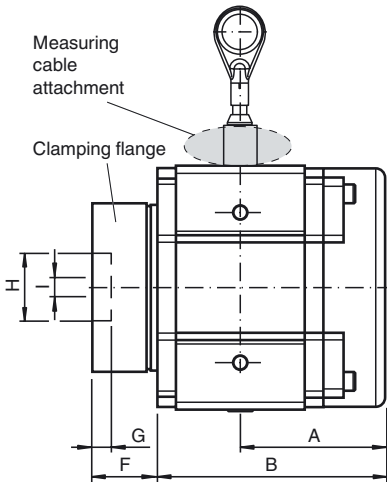
General information

Scope of delivery	Shaft coupling for mounting a rotary encoder depending on the flange type , Mounting clips , bolts for mounting the adapter and a rotary encoder , Sealing elements (various seals for mounting a rotary encoder) , Hexagon socket wrench, 1.3 AF
-------------------	---

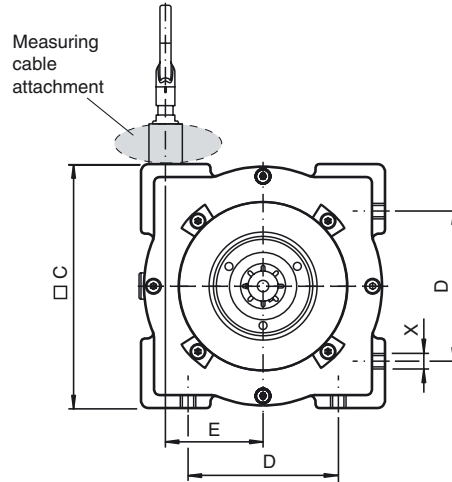
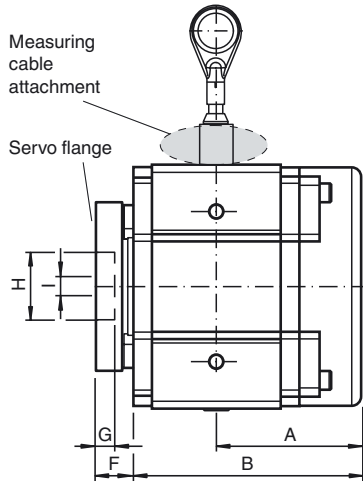
Accessories

Optional accessories	#203843 SL-RP/GS80 Guide pulley, design 80
	#203844 SL-RP/GS130/GS190 Guide pulley, design 130/190
	#251600 SL-TRP/GS80 Double guide pulley, design 80
	#251602 SL-TRP/GS130 Double guide pulley, design 130/190
	#271371 SL-BA/GS80 Brush attachment, design 80
	#271373 SL-BA/GS130/GS190 Brush attachment, design 130/190
	#272502 SL-BCA Ball for ball joint

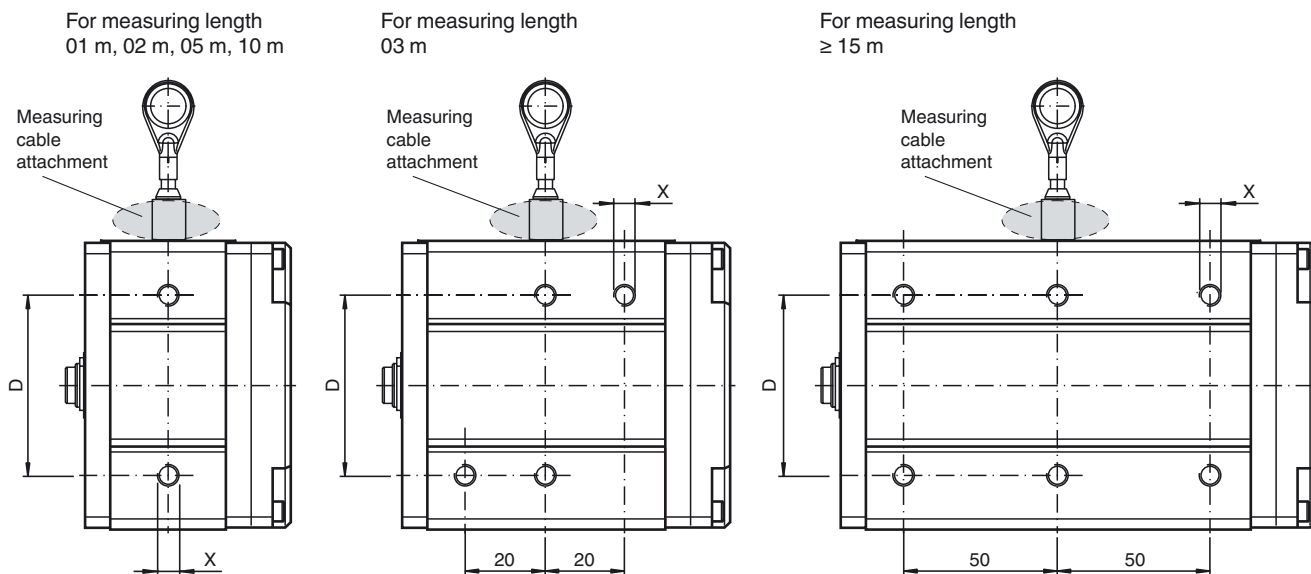
Dimensions



Measuring length	X
01 - 02	4 x M6 ↓8
03	8 x M6 ↓8
05 - 10	4 x M8 ↓8
15 - 30	12 x M8 ↓8
35 - 60	12 x M10 ↓11



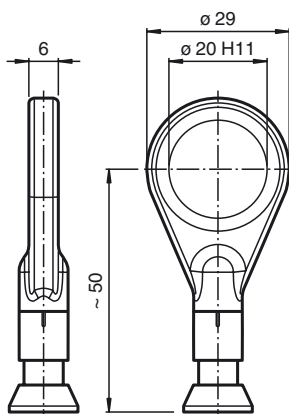
Threaded holes for mounting



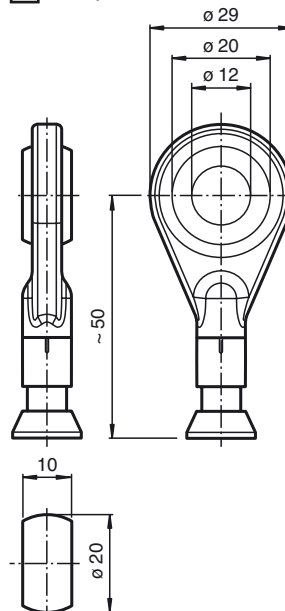
Measuring length	X
01 - 02	4 x M6 ↓8
03	8 x M6 ↓8
05 - 10	4 x M8 ↓8
15 - 30	12 x M8 ↓8
35 - 60	12 x M10 ↓11

Cable mounts

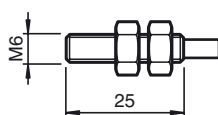
A Brass ring PE



C Ball joint



D Headless screw



Release date: 2019-12-02 10:06 Date of issue: 2019-12-02 1172461_eng.xml

Refer to "General Notes Relating to Pepperl+Fuchs Product Information".

Pepperl+Fuchs Group
www.pepperl-fuchs.com

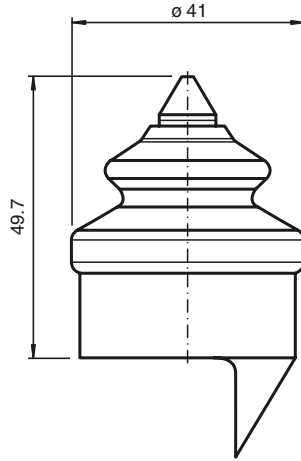
USA: +1 330 486 0001
fa-info@us.pepperl-fuchs.com

Germany: +49 621 776 1111
fa-info@de.pepperl-fuchs.com

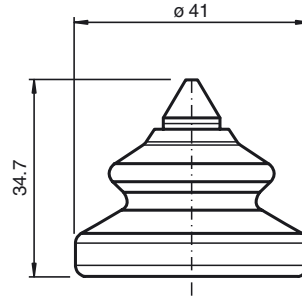
Singapore: +65 6779 9091
fa-info@sg.pepperl-fuchs.com

1 Attachment bellows

For design 80

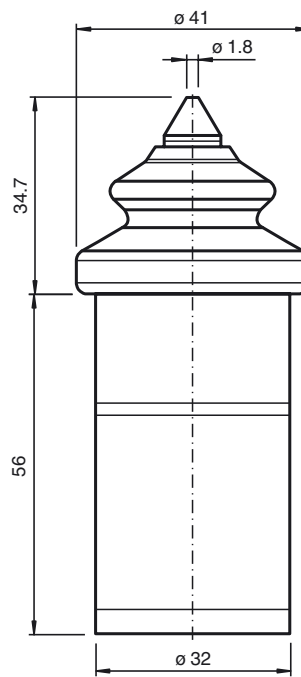


For design 130/190

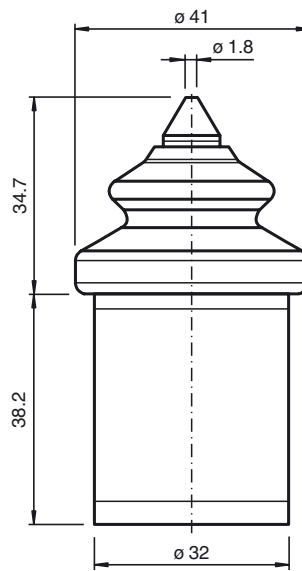


2 Brush attachment with bellows and steel

For design 80



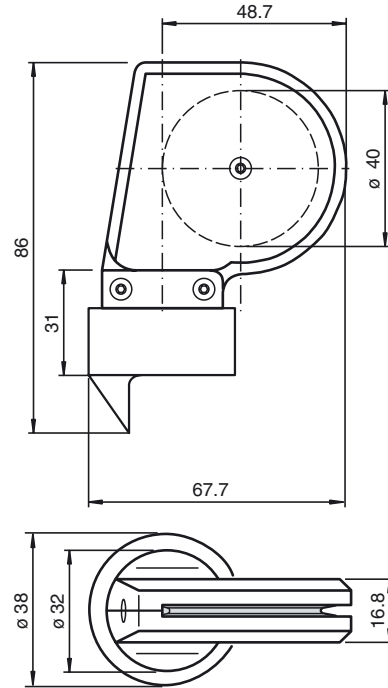
For design 130/190



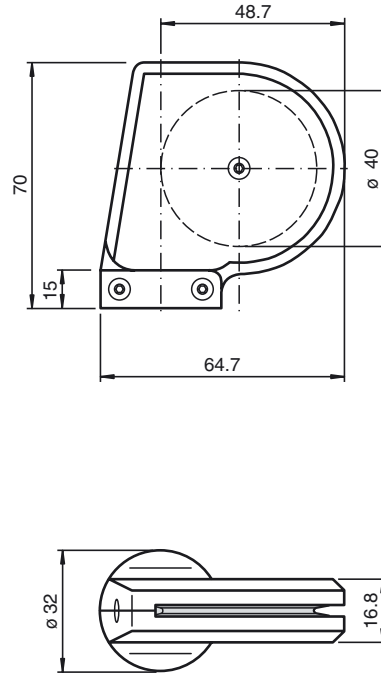
Release date: 2019-12-02 10:06 Date of issue: 2019-12-02 1172461_eng.xml

4 Guide pulley

For design 80



For design 130/190



Release date: 2019-12-02 10:06 Date of issue: 2019-12-02 t172461_eng.xml

Refer to "General Notes Relating to Pepperl+Fuchs Product Information".

Pepperl+Fuchs Group
www.pepperl-fuchs.com

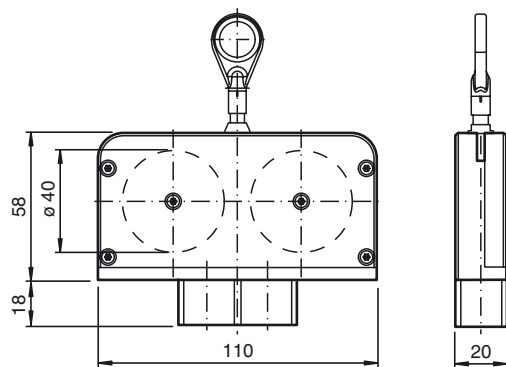
USA: +1 330 486 0001
fa-info@us.pepperl-fuchs.com

Germany: +49 621 776 1111
fa-info@de.pepperl-fuchs.com

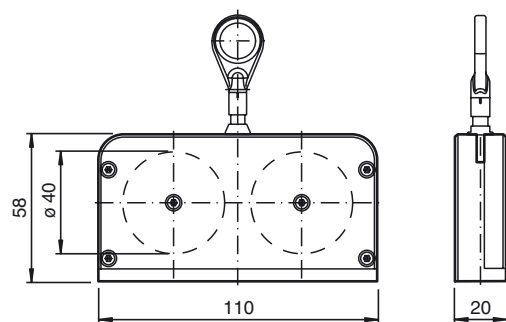
Singapore: +65 6779 9091
fa-info@sg.pepperl-fuchs.com

5 Double guide pulley

For design 80



For design 130/190



Release date: 2019-12-02 10:06 Date of issue: 2019-12-02 t172461_eng.xml

Refer to "General Notes Relating to Pepperl+Fuchs Product Information".

Pepperl+Fuchs Group
www.pepperl-fuchs.com

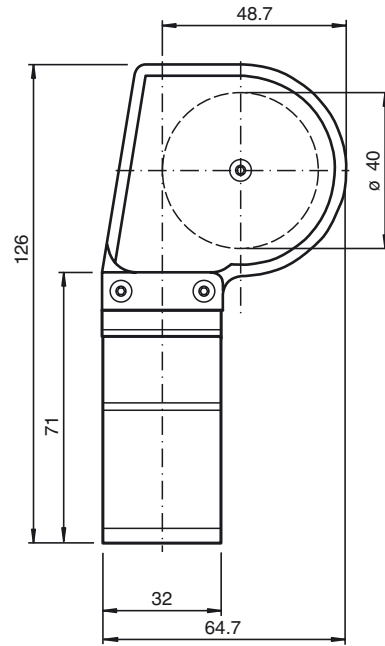
USA: +1 330 486 0001
fa-info@us.pepperl-fuchs.com

Germany: +49 621 776 1111
fa-info@de.pepperl-fuchs.com

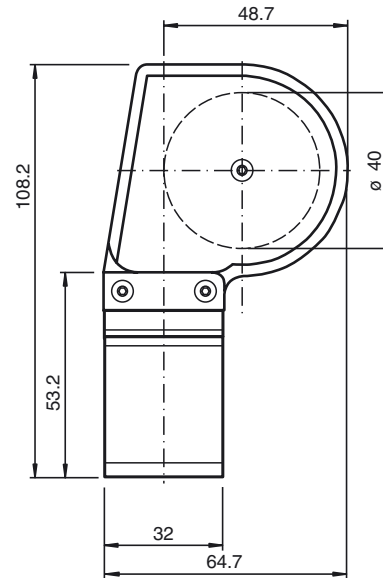
Singapore: +65 6779 9091
fa-info@sg.pepperl-fuchs.com

8 Brush attachment with guide pulley

For design 80



For design 130/190



Variable Data and Dimensions

Technical Data	Design 80			Design 130						Design 190			
	01	02	03	05	10	15	20	25	30	35	40	50	60
Max. measuring length (in m)													
Drum size (incl. cable) (in mm)	200			334.1						491.5		489.8	491.5
Repeatability (max. in mm)	0.2	0.2	0.3	0.5	1	1.5	2	2.5	3	6	6	6	7
Hysteresis (max. in mm)	1	1	1.5	2	4	5	6	7	8	10	10	10	15
Linearity	± 0.1%			± 0.1%						± 0.1%			
Retraction speed (in m/s)	8			8		6		3		4			
Spring retraction force (in N)	11-14	8-14	7-11	15-21	8-13	15-21	8-13	15-21	8-13	20-37	18-37	20-37	18-37
Weight (in kg)	0.9	1.1	1.5	2.5	3.5	5	6	7.5	8.5	16	20	16	15.5
Dimensions (in mm)													
A	34	42	60	77	124	147	193	216	262	188	203	215	210
B	57	72	98	122	190	236	304	350	418	315	346	342	322
C	80			130						190			
D	50			80						140			
E	31,5			52						79			

Flange Dimensions for Adapting Rotary Encoders

Design	80	130/190	80	130/190	80	130/190
Flange type	Servo flange		Clamping flange		Servo flange	

Release date: 2019-12-02 10:06 Date of issue: 2019-12-02 1172461_eng.xml

Refer to "General Notes Relating to Pepperl+Fuchs Product Information".

