



RFID Transponder

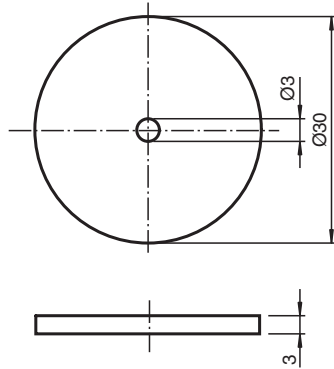
IPC02-30P

- Battery-free code carrier
- 40 bit fix code
- Readable from both sides
- Mounting holes for simple installation
- Degree of protection IP68

Code carrier



Dimensions



Technical Data

| General specifications | |
|-------------------------------|------------------------------------|
| Operating frequency | 125 kHz |
| Transfer rate | 2 kBit/s |
| Memory | |
| Chip Type | EM4102 Unique (EM Microelectronic) |
| Read cycles | unlimited |
| Data retention period | > 10 years |
| Directive conformity | |
| Radio equipment | |
| Directive 2014/53/EU | EN 300330 |
| RoHS | |
| Directive 2011/65/EU (RoHS) | EN 50581 |
| Standard conformity | |
| Degree of protection | EN 60529 |
| RFID | ISO/IEC 18000-2 |
| Ambient conditions | |

Release date: 2020-03-23 Date of issue: 2020-03-27 Filename: 192202_eng.pdf

Refer to "General Notes Relating to Pepperl+Fuchs Product Information".

Pepperl+Fuchs Group
www.pepperl-fuchs.com

USA: +1 330 486 0001
fa-info@us.pepperl-fuchs.com

Germany: +49 621 776 1111
fa-info@de.pepperl-fuchs.com

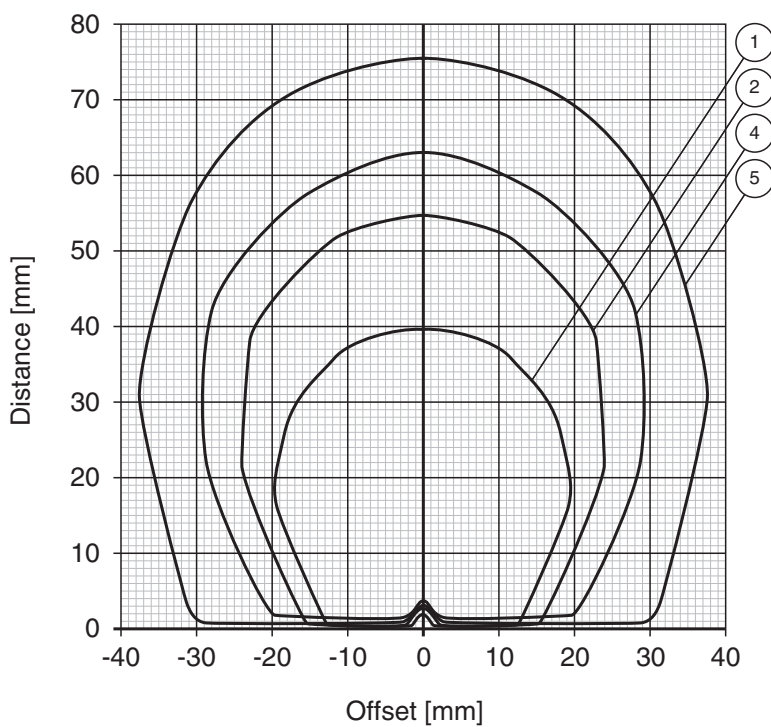
Singapore: +65 6779 9091
fa-info@sg.pepperl-fuchs.com

PEPPERL+FUCHS

Technical Data

| | |
|----------------------------------|--------------------------------|
| Ambient temperature | -20 ... 100 °C (-4 ... 212 °F) |
| Storage temperature | -20 ... 100 °C (-4 ... 212 °F) |
| Mechanical specifications | |
| Degree of protection | IP68 |
| Material | |
| Housing | PC (Polycarbonate) |
| Installation | |
| In air | yes |
| Construction type | Cylindrical |

Reading range in air IPC02-30..



Release date: 2020-03-23 Date of issue: 2020-03-27 Filename: 192202_eng.pdf

Refer to "General Notes Relating to Pepperl+Fuchs Product Information".

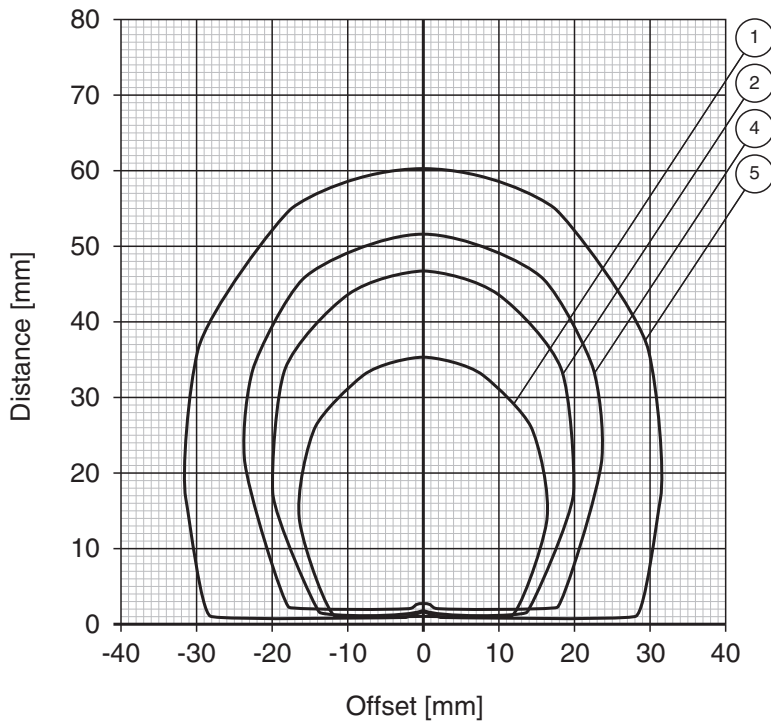
Pepperl+Fuchs Group
www.pepperl-fuchs.com

USA: +1 330 486 0001
fa-info@us.pepperl-fuchs.com

Germany: +49 621 776 1111
fa-info@de.pepperl-fuchs.com

Singapore: +65 6779 9091
fa-info@sg.pepperl-fuchs.com

Reading range on aluminium IPC02-30..



Release date: 2020-03-23 Date of issue: 2020-03-27 Filename: 192202_eng.pdf

Refer to "General Notes Relating to Pepperl+Fuchs Product Information".

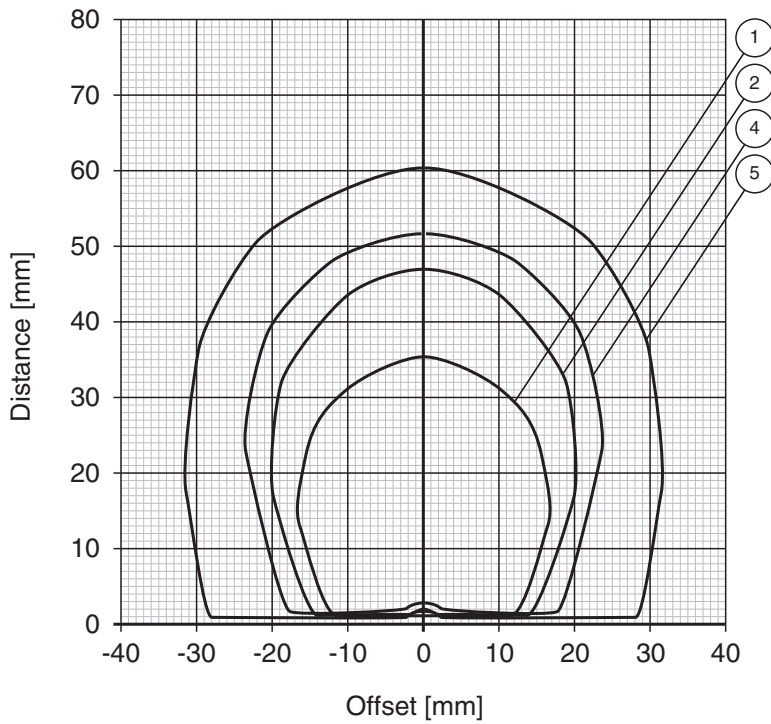
Pepperl+Fuchs Group
www.pepperl-fuchs.com

USA: +1 330 486 0001
fa-info@us.pepperl-fuchs.com

Germany: +49 621 776 1111
fa-info@de.pepperl-fuchs.com

Singapore: +65 6779 9091
fa-info@sg.pepperl-fuchs.com

Reading range on steel IPC02-30..



- | | | | |
|---------------|-------------|--------------|--------------|
| ① IPH-18GM-V1 | ③ IPH-F61 | ⑤ IPH-FP-V1 | ⑦ IPT1-FP-V1 |
| ② IPH-30GM-V1 | ④ IPH-L2-V1 | ⑥ IPH-F15-V1 | |

Release date: 2020-03-23 Date of issue: 2020-03-27 Filename: 192202_eng.pdf

Application

The transponder can be read from either side.

Release date: 2020-03-23 Date of issue: 2020-03-27 Filename: 192202_eng.pdf

Refer to "General Notes Relating to Pepperl+Fuchs Product Information".

Pepperl+Fuchs Group
www.pepperl-fuchs.com

USA: +1 330 486 0001
fa-info@us.pepperl-fuchs.com

Germany: +49 621 776 1111
fa-info@de.pepperl-fuchs.com

Singapore: +65 6779 9091
fa-info@sg.pepperl-fuchs.com