

RFID Transponder

IPC03-54-T8

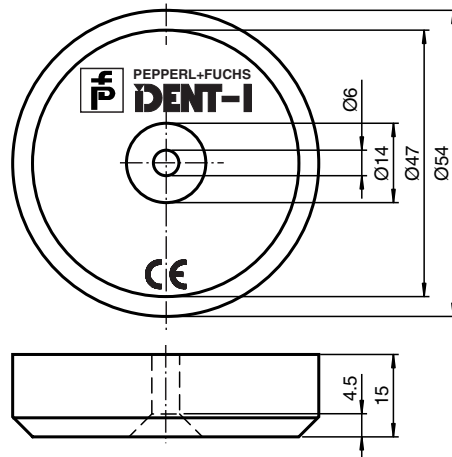


- Battery-free data carrier
- 32 bit fixcode
- 928 bits memory available
- Readable and writable from both sides
- With extended temperature range up to 120 °C (248 °F)
- Degree of protection IP67
- Mounting holes for simple installation

Data carrier



Dimensions



Technical Data

General specifications

Operating frequency	125 kHz
Transfer rate	2 kBit/s
Distance	distance tables, see introduction

Memory

Chip Type	EM4450 Titan (EM Microelectronic)
EEPROM	928 Bit
Read cycles	unlimited
Write cycles	> 100000
Data retention period	10 years at 55 °C (131 °F)

Directive conformity

Radio equipment	
Directive 2014/53/EU	EN 300330
RoHS	
Directive 2011/65/EU (RoHS)	IEC/EN 63000

Standard conformity

Degree of protection	EN 60529
----------------------	----------

Release date: 2021-10-01 Date of issue: 2021-10-01 Filename: 122873_eng.pdf

Refer to "General Notes Relating to Pepperl+Fuchs Product Information".

Pepperl+Fuchs Group
www.pepperl-fuchs.com

USA: +1 330 486 0001
fa-info@us.pepperl-fuchs.com

Germany: +49 621 776 1111
fa-info@de.pepperl-fuchs.com

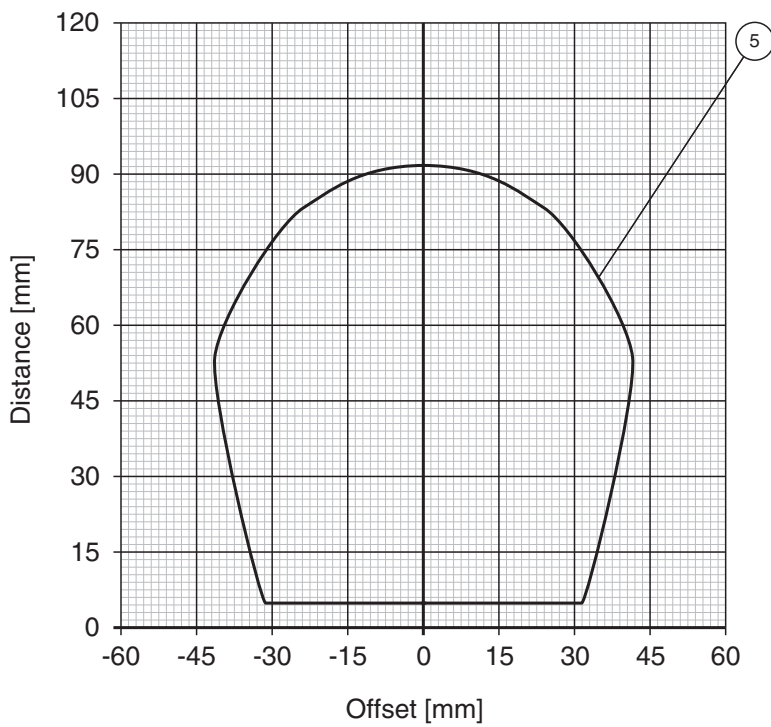
Singapore: +65 6779 9091
fa-info@sg.pepperl-fuchs.com

 PEPPERL+FUCHS

Technical Data

RFID	ISO/IEC 18000-2
Ambient conditions	
Ambient temperature	-40 ... 120 °C (-40 ... 248 °F)
Storage temperature	-40 ... 120 °C (-40 ... 248 °F)
Mechanical specifications	
Housing height	15 mm
Housing diameter	54 mm
Degree of protection	IP67 according to EN 60529
Material	
Housing	Polyurethane (PUR)
Installation	
On metal	yes
In air	yes
Construction type	Cylindrical

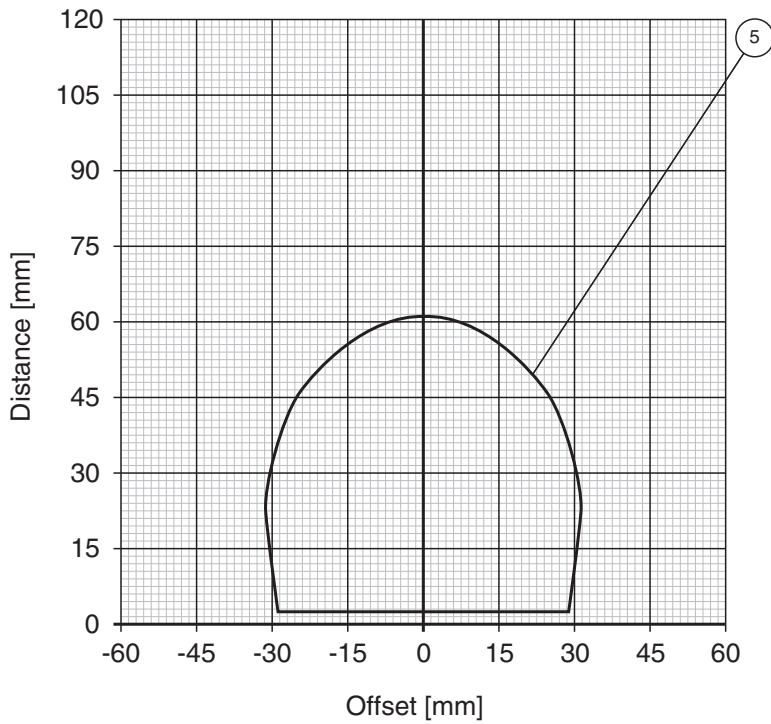
Reading range in air IPC03-54T8



Release date: 2021-10-01 Date of issue: 2021-10-01 Filename: 122873_eng.pdf

Refer to "General Notes Relating to Pepperl+Fuchs Product Information".

Reading range on steel IPC03-54T8



- | | | | |
|---------------|-------------|--------------|--------------|
| ① IPH-18GM-V1 | ③ IPH-F61 | ⑤ IPH-FP-V1 | ⑦ IPT1-FP-V1 |
| ② IPH-30GM-V1 | ④ IPH-L2-V1 | ⑥ IPH-F15-V1 | |

Release date: 2021-10-01 Date of issue: 2021-10-01 Filename: 122873_eng.pdf

Application

The transponder can be read and written from either side.